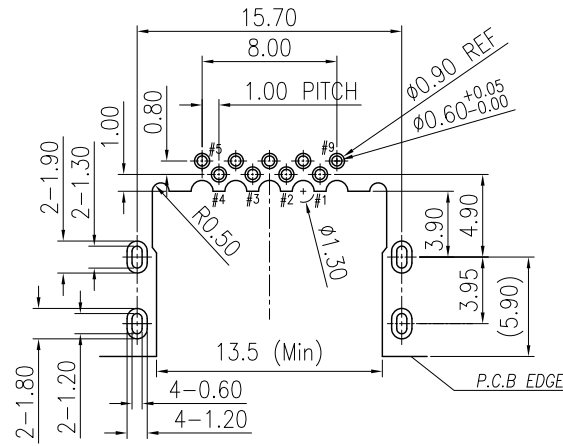
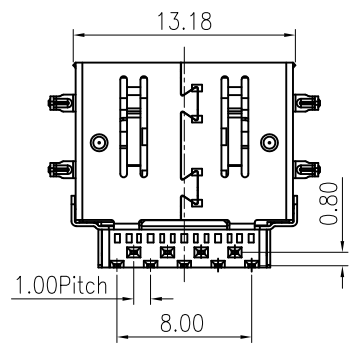
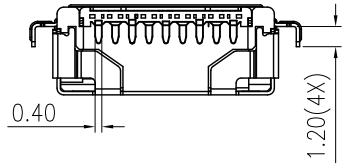
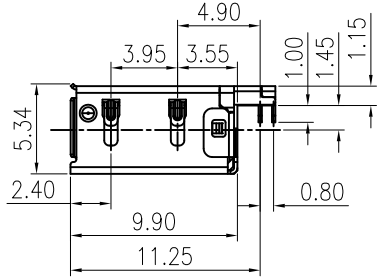
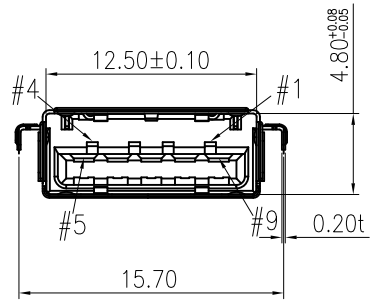
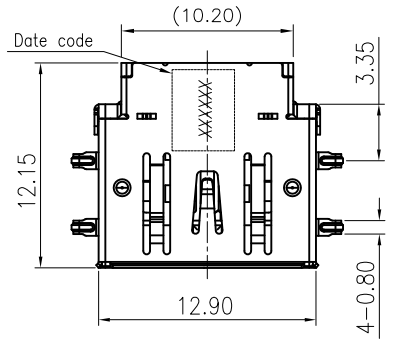


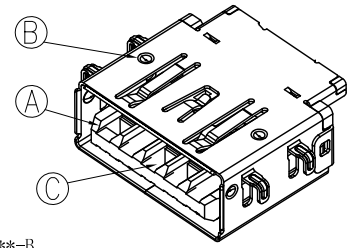
| | | |
|------|---------|----------------|
| REV. | ECN.NO. | MODIFY.CONTENT |
| A | / | NEW |



Recommended P.C.B Layout (THK:1.0mm)
Top View (Tol:±0.05)

SPECIFICATIONS:

- ELECTRICAL CHARACTERISTICS:
 - CURRENT RATING: 2.0A (PIN1,4) ; OTHER CONTACTS 0.25A
 - CONTACT RESISTANCE: 30mΩ MAX.
 - DIELECTRIC WITHSTANDING VOLTAGE: 500V AC FOR 1 MINUTE
 - INSULATION RESISTANCE: 100MΩ MIN
- MECHANICAL CHARACTERISTICS:
 - INSERTION FORCE : 35N MAX. INITIAL.
 - WITHDRAWAL FORCE : 10N MIN. INITIAL, 8N MIN. FOR AFTER TEST.
- DURABILITY: 5,000 CYCLES,



NOTE:
U143-CF09H014***-B

- 42: 功能区镀金1U", 锡脚镀雾纯锡至少40~80U", 镍底60u"
- 43: 功能区镀金3U", 锡脚镀雾纯锡至少40~80U", 镍底60u"
- 44: 功能区镀金5U", 锡脚镀雾纯锡至少40~80U", 镍底60u"
- 45: 功能区镀金10U", 锡脚镀雾纯锡至少40~80U", 镍底60u"
- 46: 功能区镀金15U", 锡脚镀雾纯锡至少40~80U", 镍底60u"
- 47: 功能区镀金30U", 锡脚镀雾纯锡至少40~80U", 镍底60u"

| Pin Number | Signal ASSIGNMENT |
|------------|-------------------|
| PIN 1 | VBUS |
| PIN 2 | D- |
| PIN 3 | D+ |
| PIN 4 | GND |
| PIN 5 | StdA_SSRX- |
| PIN 6 | StdA_SSRX+ |
| PIN 7 | GND_DRAIN |
| PIN 8 | StdA_SSTX- |
| PIN 9 | StdA_SSTX+ |

| | | | | |
|-----|-------------|------|------------------|--------------------------------------|
| C | 9P TERMINAL | 9 | C5210-EH T0.20mm | GOLD FLASH PLATED ON MATING AREA. |
| B | SHELL | 1 | SUS304 1/2H | MOL. S140-80/MIN PLATED ON SOLDERING |
| A | HOUSING | 1 | PA9T | 60/NICKEL UNDER PLATING OVERALL. |
| ND. | PART NAME | QT'Y | MATERIAL | REMARK |

| | | | | | | |
|-------------------|---------|--------------------|----------|-----------------------------------|----------|-----------------|
| GENERAL TOLERANCE | DWG.NO. | U143-CF09H014***-B | PART.NO. | U143-CF09H014***-B | DRAWN | YUAN 2021.01.13 |
| x.±0.50 | REV. | A | TITLE | USB 3.0 CH 1.45 REVERSE CONNECTOR | CHECKED | |
| .x±0.25 | SIZE | A4 | SHEET | 1 OF 2 | APPROVED | |
| .xx±0.20 | | | | | | |

UNIT: mm SCALE: ND SCALE

OLN 东莞市欧联电子科技有限公司
DONGGUAN OLN ELECTRONICS TECHNOLOGY CO., LTD.